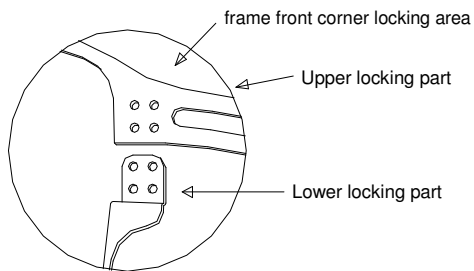


Eyelet Handling Manual

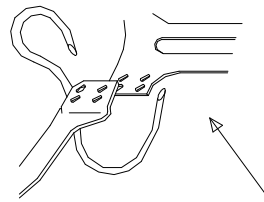
Stitching material: Nylon string
Diameter: 0.6mm
Length: 120mm

Front View



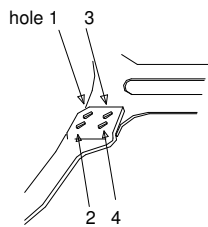
1

inside view



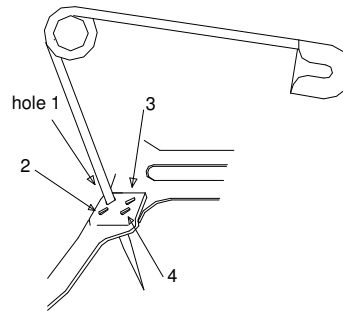
2 Cut both ends of a piece of 0.6mm thickness nylon string with 60 degree sharp angle. Minimum length of nylon string is 120mm.

inside view



3 Place lens in the rim and align all the holes.

inside view

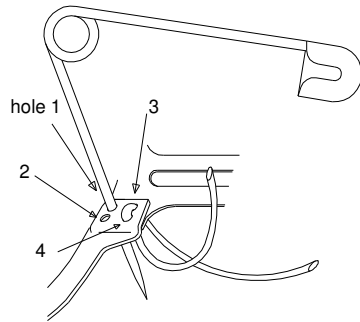


4 Insert the pin into hole (1) to secure the positions before stitching.

Eyelet Handling Manual

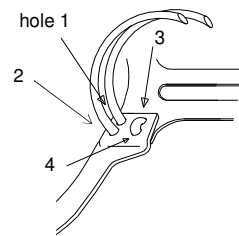
Stitching material: Nylon string
Diameter: 0.6mm
Length: 120mm

inside view



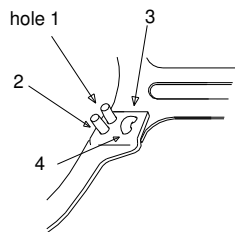
5 Use the nylon string to run through holes (3) and (4). Pull both ends to tighten.

inside view



6 Remove the pin. Run both ends of nylon string through holes (1) and (2). Pull both ends to tighten.

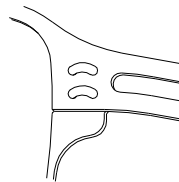
inside view



7 Cut two ends of the nylon string with minimum 1.5mm overrun from the frame.

Front View

(stitch-locking completed)



8